

LOCKERS FOR ORGANIC MATERIALS
 Developed in collaboration with
 Naturhistoriska Riksmuseet



Double steel with intermediate fire insulation.

Reinforced storage cabinet, fire-isolation (Euroclass A1) between double steel plates in doors, gabels, top and bottom. Flameproof powder-coating. door-handles equipped with inflection point.

Sealing

Cabinets doors are recessed and rests on a steel frame on the inside.

On the right front door is a bar that goes over the left door. Similarly there is a strip on inside of the left door that falls behind right door when the doors are closed.

Stackable

The cabinets can be placed on top of each other.

Drawers

The drawers run smoothly on wheels rails. Drawers can be lifted out separately.

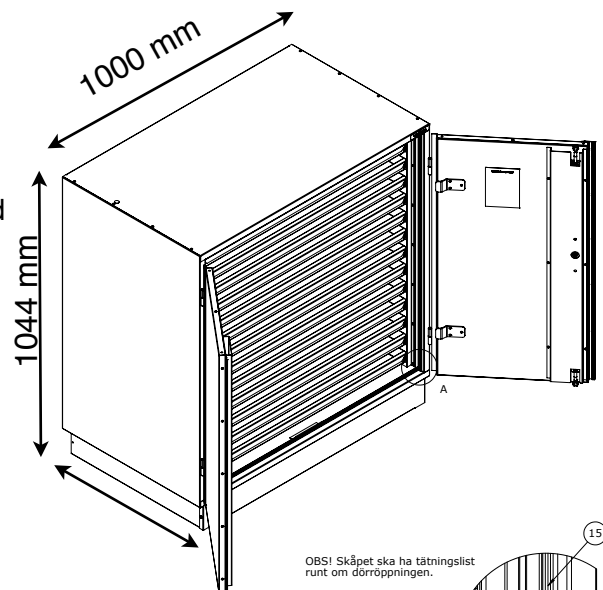
The drawers can take a load of 25 kg.

Drawers in two heights:

H45 x D515 x W897 mm (13 in each cabinet)

H105 x D515 x W897 mm (6 in each cabinet + one low)

ASSA lock and 2 point locking system that locks the cabinet top and bottom .



OBS! Skåpet ska ha tätning runt om dörppningen.

